


## Swivel joint – D2000



The use of our new, multifunctional swivel joint D2000 optimises nearly all liquid applications.

### **The D2000 can be used universally**

Whether in the mineral oil, food or chemical industry, the D2000 meets the highest standards. Due to the unique sandwich design, the bearing module is separated from the product carrying components. Therefore it can be used as a standard swivel joint for nearly all media with temperatures ranging from  $-50\text{ }^{\circ}\text{F}$  to  $+480\text{ }^{\circ}\text{F}$ .

- complies with TA Luft (German regulation for environmental protection)
- split flanged design
- cryogenic variance also available
- -listed for high pressure applications

### **The D2000 High load capacity & integrity**

Due to the separation of product carrying parts, the material of the bearing module is produced for high load bearing capacity with the ball races being “deep” flame hardened.

### **The D2000 has a compact design**

The compact dimensions of the D2000 allows it to be used in “low profile” applications.

### **The D2000 has many variants**

The D2000 can be used to fulfil customers own specific requirements. The material of the product carrying parts can have many variants and will depend on the media being handled.

### **The D2000 complies with relevant regulations**

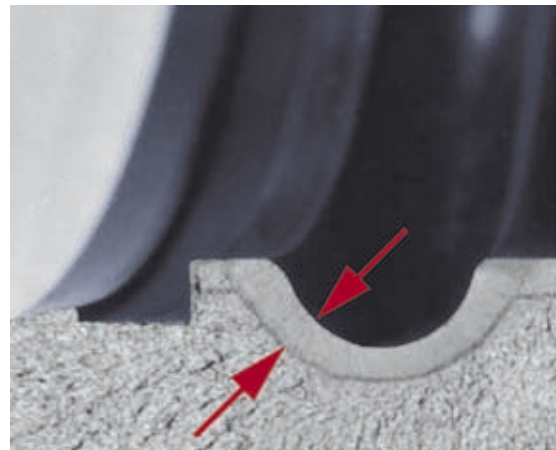
The swivel joint is produced according to the requisite regulations for articulated pipework. It can also be adopted to comply with other specific regulations.

### **The D2000 has a high leak proof capacity**

The D2000 achieves its sealing characteristics due to its smooth rotation and high bending moment characteristics. It fulfils all requirements of the “TA-Luft” (German regulation for environmental protection).

### **The D2000 is long-lasting**

The deep flame hardened ball races guarantee a long working life and low wear characteristics.



### **The D2000 is maintenance friendly**

The bearing module and seals can be easily replaced: remove flange, change seal, replace flange - ready for use.

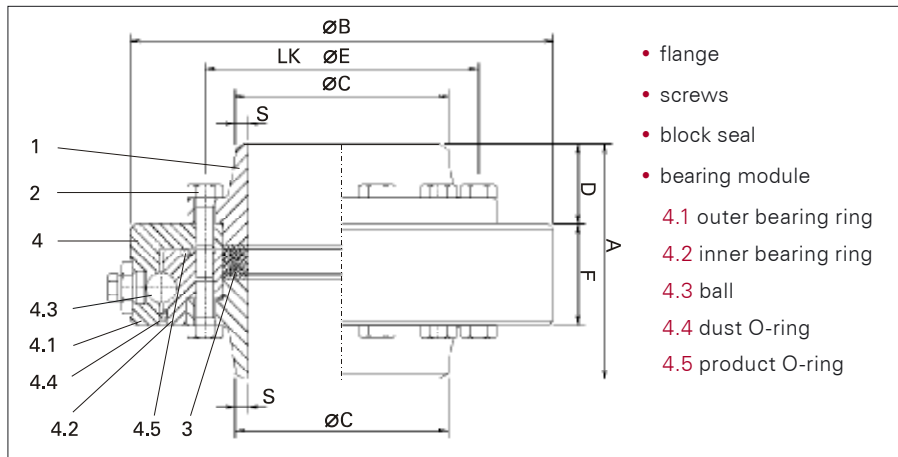
All this without having to disassemble the whole loading arm! This is practical saving time and substantially reduces life cost.

# D2000

Dimensions and technical data

Technical data											
DN	A	Ø B	Ø C	D	Ø E	F	S	Weight	Working pressure	Test pressure	Temperature*
2	3.9	5.9	2.4	1.3	3.5	1.7	0.2	12.3 lbs	580 psi	870 psi	-50 °F to +480 °F
3	3.9	6.9	3.5	1.3	4.5	1.7	0.2	15.9 lbs			
4	3.9	8.1	4.5	1.3	5.6	1.7	0.2	20.3 lbs			
6	6.3	11.9	6.6	2.2	8.5	2.7	0.3	73.9 lbs			
8	7.1	14.4	8.6	2.6	10.8	2.7	0.3	103.6 lbs			

\* temperature range might be restricted due to seal material



Following are the most common variants:

**Flanges**

- Carbon steel
- low temperature steel
- Stainless steel
- Aluminum

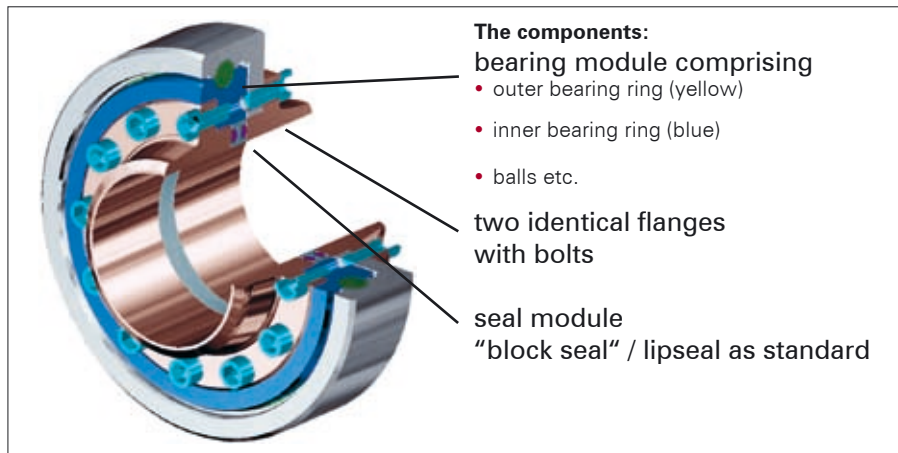
**Bearing module**

- Carbon steel nickel plated

**Sealing module**

- Perbunan
- Viton
- FEP
- EPDM
- Fluoroloy K
- PTFE

Other materials for special applications are available on request.



**EMCO WHEATON**

*A Gardner Denver Product*

EMCO WHEATON USA INC

9111 Jackrabbit Road · Houston, Texas 77095 · USA

Phone +1 281 856-1300 · Fax +1 281 856-1325

www.emcowheaton.com · sales-us@emcowheaton.com

Whilst the content of this leaflet has been edited with the greatest care, we are not liable for any errors and/or omissions. Subject to change without notice.