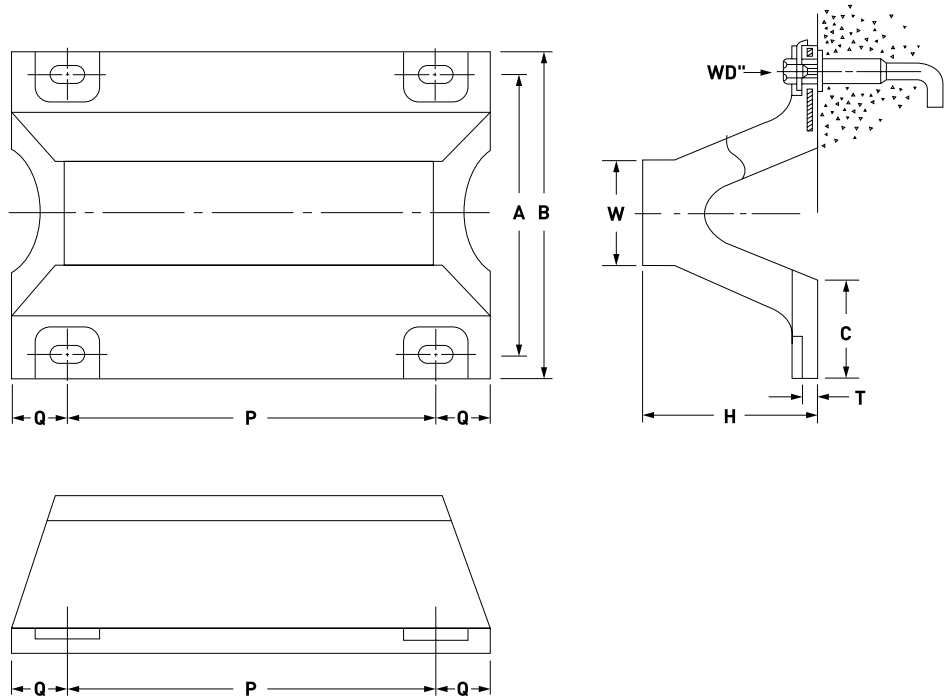


Arch Fenders



Morse Rubber



● Fender Dimension

(Unit:mm)

Dimension Height	WD"	A	B	C	T	W	1000L		1500L		2000L		2500L		3000L	
							P	Q	P	Q	P	Q	P	Q	P	Q
150H	7/8	240	300	96	17	120	855	110	675×2	112.5	620×3	107.5	785×3	110	715×4	107.5
200H	1	320	400	128	17	160	860	120	680×2	120	620×3	120	780×3	122.5	715×4	120
250H	1 1/8	410	500	160	22	200	865	130	680×2	132.5	620×3	132.5	790×3	127.5	715×4	132.5
300H	1 1/4	490	600	192	23	240	870	140	685×2	140	625×3	137.5	790×3	140	715×4	145
400H	1 1/2	670	800	256	28	320	900	150	700×2	150	635×3	147.5	800×3	150	725×4	150
500H	1 3/4	840	1000	320	32	400	930	160	715×2	160	645×3	157.5	810×3	160	730×4	165
600H	2	1010	1200	384	40	480	960	170	730×2	170	655×3	167.5	820×3	170	740×4	170
800H	2 1/2	1340	1600	512	43	640	1040	180	770×2	180	680×3	180	845×3	182.5	760×4	180
1000H	2 1/2	1680	2000	640	49	800	1100	200	800×2	200	700×3	200	775×3	200	865×4	202.5

- WD" : Anchor Size See Page 41

● Performance Curve

