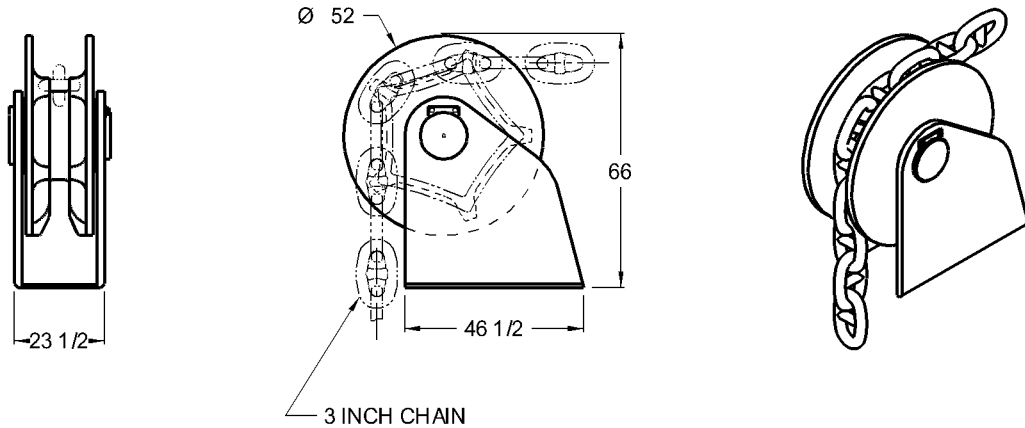
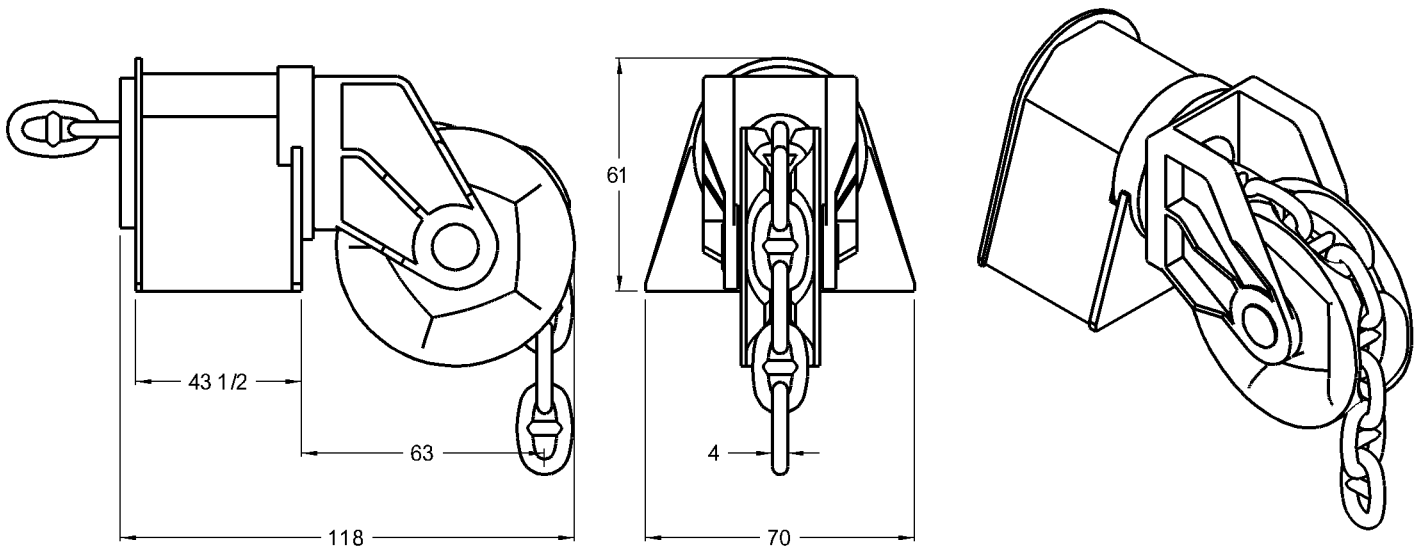




# Chain Fairleads and Guide Sheaves



MODEL C-1152 CHAIN GUIDE SHEAVE



MODEL 5C-662 CHAIN FAIRLEAD

## ***Chain Fairleads and Guide Sheaves***

Smith Berger Chain Fairleads and Guide Sheaves have all the features found in our wire rope models. All designs withstand the breaking strength of the chain with 90° wrap on the chain sheave and currently accommodate a size range from 1-1/4" to 5" chain.

Smith Berger mooring equipment for chain is typically custom designed and manufactured for the offshore community. Our engineers work closely with the client to ensure that all the operation and installation characteristics are fine tuned prior to manufacture. Smith Berger engineers have years of experience with the major certifying authorities (ABS, LRS, and DNV) and are well versed in the stringent regulations required of offshore mooring systems.

Contact Smith Berger to ensure the success of your next mooring project.

***We will custom engineer any of our products to suit YOUR requirements!***