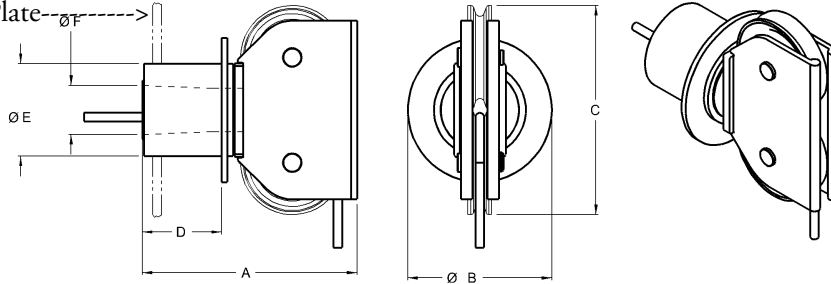




Flange Mounted Double Sheave Fairleads

Customer Furnished Support Plate



Model Number	Units of Measure	Maximum Wire Size	Wire Breaking Strength	Sheave Tread Diameter	A	B	C	D	E	F	Weight
MD-2710	Inches	3/4	58,800 lbs.	8- 1/4	22- 7/16	16	21	8- 3/8	9	4- 1/2	266 lbs.
	MM	19	262 kN	210	570	406	533	213	229	114	121 Kg
MD-2712	Inches	1	103,400 lbs.	9- 3/4	26- 7/16	17	23- 1/2	10- 3/8	11	5- 5/8	379 lbs.
	MM	25	460 kN	248	672	432	597	264	279	143	172 Kg
MD-2714	Inches	1- 1/4	159,800 lbs.	11- 1/4	28-11/16	18- 3/4	27- 1/2	10- 5/8	11- 3/4	6- 5/16	585 lbs.
	MM	32	711 kN	286	729	476	699	270	298	160	265 Kg
MD-2718	Inches	1- 1/2	228,000 lbs.	14- 1/4	36- 1/8	25	35- 5/8	13- 3/4	16	8- 1/2	1212 lbs.
	MM	38	1014 kN	362	918	635	905	349	406	216	550 Kg
MC-2722	Inches	1- 3/4	266,000 lbs.	18- 1/2	43- 1/8	27	46	16	18	9- 1/2	1799 lbs.
	MM	44	1183kN	470	1095	686	1168	406	457	241	816 Kg

Standard Features

- Designed for breaking strength of wire with 90° wrap on sheave and +/- 90° rotation of swivelhead
- Sealed grease lubricated Timken tapered roller bearings
- Hardened rope grooves for longer life
- Weld down mounting flange
- Smith Berger Quality

Optional Features

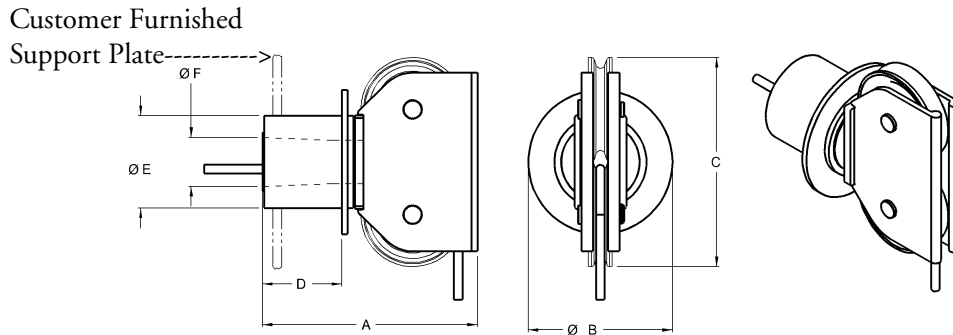
- Tail Sheaves / Tail Rollers
- Load monitoring system
- Paint to your specification
- Bolt down mounting flange
- Special sheaves for high performance synthetic ropes
- Third party certification

*We will custom engineer any of our products to suit **YOUR** requirements!*

7915 10th Ave. S., Seattle, WA 98108 USA - Tel: 206-764-4650 - Fax: 206-764-4653 - Website: www.SmithBerger.com



Flange Mounted Double Sheave Fairleads



Model Number	Units of Measure	Maximum Wire Size	Wire Breaking Strength	Sheave Tread Diameter	A	B	C	D	E	F	Weight
MC-2724	Inches	2	344,000 lbs.	20	48	30	47- 1/2	17- 3/4	20	12	2160 lbs.
	MM	51	1530 kN	508	1219	762	1207	451	508	305	980 Kg
MD-2730	Inches	2- 1/4	494,000 lbs.	24- 7/8	54- 7/8	35- 1/2	59- 3/4	22- 1/4	24	13	4113 lbs.
	MM	57	2198 kN	632	1394	902	1518	565	610	330	1866 Kg
MC-2736	Inches	2- 1/2	524,000 lbs.	30	61	39	70- 5/8	24- 1/4	26	14- 1/2	5330 lbs.
	MM	64	2331 kN	762	1549	991	1794	616	660	368	2418 Kg
MD-2752	Inches	3	818,000 lbs.	44	104	60	105- 5/8	41	39- 1/2	26- 1/2	16,090 lbs.
	MM	76	3639 kN	1118	2642	1524	2683	1041	1003	673	7298 Kg
MD-2765	Inches	3	818,000 lbs.	55- 1/2	117	60	130- 5/8	41	39- 1/2	26- 1/2	18,500 lbs.
	MM	76	3639 kN	1410	2972	1524	3318	1041	1003	673	8392 Kg

Standard Features

- Designed for breaking strength of wire with 90° wrap on sheave and +/- 90° rotation of swivelhead
- Sealed grease lubricated Timken tapered roller bearings
- Hardened rope grooves for longer life
- Weld down mounting flange
- Smith Berger Quality

Optional Features

- Tail Sheaves / Tail Rollers
- Load monitoring system
- Paint to your specification
- Bolt down mounting flange
- Special sheaves for high performance synthetic ropes
- Third party certification

*We will custom engineer any of our products to suit **YOUR** requirements!*