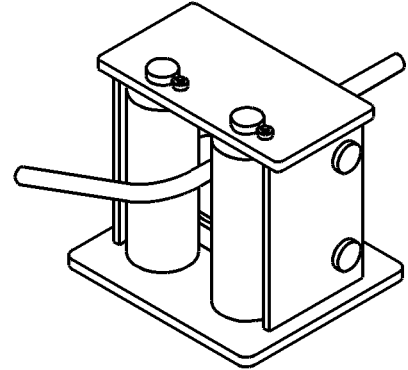
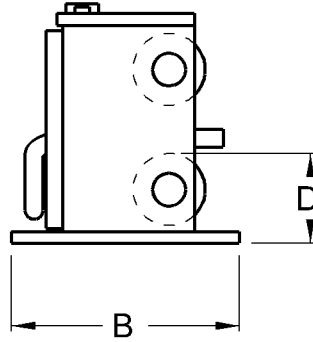
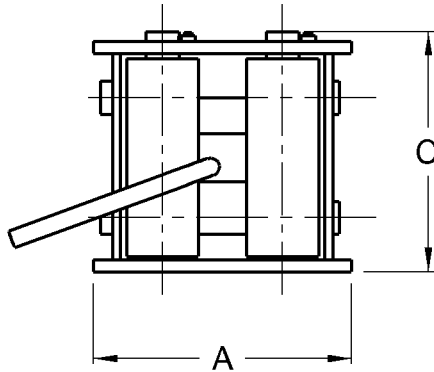




# Four Roller Fairleads



| Model Number | Units of Measure | Maximum Wire Size | Wire Breaking Strength | Roller Diameter | A       | B      | C        | D       | Opening W x H | Weight   |
|--------------|------------------|-------------------|------------------------|-----------------|---------|--------|----------|---------|---------------|----------|
| FR4-2        | Inches           | 1/2               | 26,600 lbs             | 2- 1/2          | 12      | 5- 1/2 | 10       | 3- 1/4  | 3 x 3         | 85 lbs   |
|              | MM               | 13                | 118 kN                 | 64              | 305     | 140    | 254      | 83      | 76 x 76       | 39 Kg    |
| FR4-4        | Inches           | 3/4               | 58,800 lbs             | 4               | 18      | 9      | 15       | 5- 1/8  | 4 x 4         | 310 lbs  |
|              | MM               | 19                | 262 N                  | 102             | 457     | 229    | 381      | 130     | 102 x 102     | 141 Kg   |
| FR4-6        | Inches           | 1- 1/4            | 159,800 lbs            | 6               | 23- 1/2 | 19     | 21- 3/16 | 7- 1/2  | 4 x 4         | 830 lbs  |
|              | MM               | 32                | 711 kN                 | 152             | 597     | 483    | 538      | 191     | 102 x 102     | 376 Kg   |
| FR4-8        | Inches           | 1- 3/4            | 306,000 lbs            | 8               | 32      | 17     | 27       | 9- 3/8  | 8 x 8         | 1800 lbs |
|              | MM               | 44                | 1361 kN                | 203             | 813     | 432    | 686      | 238     | 203 x 203     | 816 Kg   |
| FR4-10       | Inches           | 2- 1/4            | 494,000 lbs            | 10              | 40      | 21     | 35       | 15- 1/2 | 10 x 6        | 3350 lbs |
|              | MM               | 57                | 2198 kN                | 254             | 1016    | 533    | 889      | 394     | 254 x 152     | 1516 Kg  |

## Standard Features

- Designed for breaking strength of wire with 45° wrap on roller
- Grease lubricated bronze bearings
- Hardened rollers for longer life
- Weld down base
- Alloy steel shafts
- Smith Berger Quality

## Optional Features

- Five, six and seven roller designs
- OCIMF designs
- Stainless steel shafts
- Special rollers for high performance synthetic ropes
- Paint to your specification
- Third party certification

*We will custom engineer any of our products to suit **YOUR** requirements!*