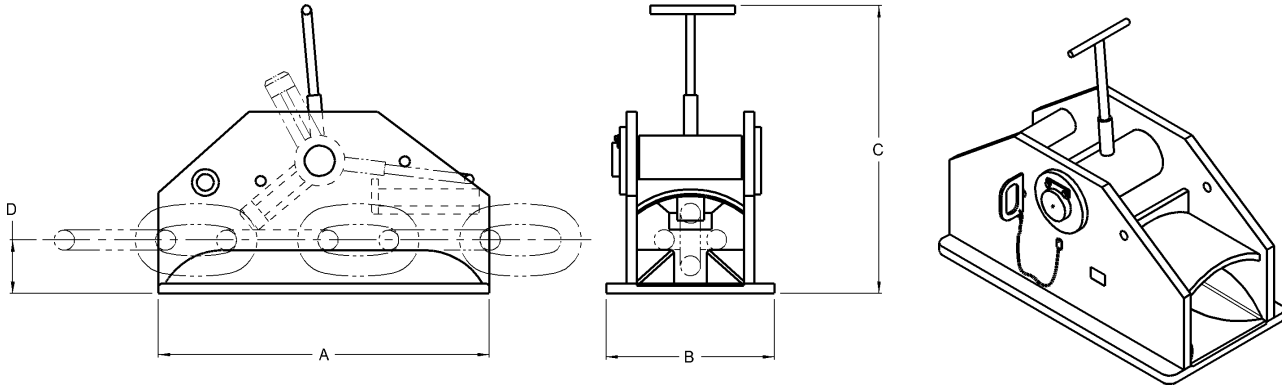




Pawl Type Chain Stoppers



Model Number	Units of Measure	Maximum Chain Size	Chain Breaking Strength	A	B	C	D	Weight
CS-48	Inches	3	970,200 lbs	49- 1/4	25	42-11/16	8	2595 lbs
	MM	76	4316 kN	1251	635	1084	203	1177 Kg
CS-64	Inches	4	1,700,00 lbs	110	28	67	11- 1/4	6480 lbs
	MM	102	7562 kN	2794	711	1702	286	2939 Kg

Standard Features

- Designed for breaking strength of chain
- Manual operation
- Grease lubricated bronze bearings
- Weld down base
- Heavy duty steel construction
- Smith Berger Quality

Optional Features

- Other sizes available
- Bolt down base
- Third party certification
- Hydraulic / pneumatic operation
- Paint to your specification
- OCIMF designs
- Load monitoring system

*We will custom engineer any of our products to suit **YOUR** requirements!*

7915 10th Ave. S., Seattle, WA 98108 USA - Tel: 206-764-4650 - Fax: 206-764-4653 - Website: www.SmithBerger.com