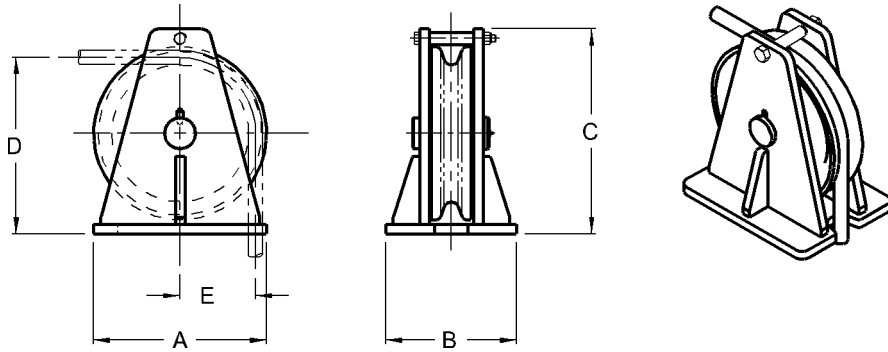




Vertical Guide Sheaves



Model Number	Units of Measure	Maximum Wire Size	Wire Breaking Strength	Sheave Tread Diameter	A	B	C	D	E	Weight
MD-1110	Inches	3/4	58,800 lbs.	8- 1/4	11	9	20- 1/8	10- 1/4	4- 1/2	65 lbs
	MM	19	262 kN	210	279	229	511	260	114	29 Kg
MD-1112	Inches	1	103,400 lbs.	9- 3/4	13	11- 1/2	14- 3/4	12- 1/4	5- 3/8	105 lbs
	MM	25	460 kN	248	330	292	375	311	137	48 Kg
MD-1114	Inches	1- 1/4	159,800 lbs.	11- 1/4	16	12	17- 1/2	14- 1/2	6- 1/4	185 lbs
	MM	32	711 kN	286	406	305	445	368	159	84 Kg
MD-1118	Inches	1- 1/2	228,000 lbs.	14- 1/4	18	13- 5/8	21- 3/8	18- 3/8	7- 7/8	340 lbs
	MM	38	1014 kN	362	457	346	543	467	200	154 Kg
MC-1122	Inches	1- 3/4	266,000 lbs.	18- 1/2	22	16	26	22- 7/8	10- 1/8	550 lbs
	MM	44	1183kN	470	559	406	660	581	257	249 Kg

Standard Features

- Designed for breaking strength of wire with 90° wrap on sheave
- Sealed grease lubricated Timken tapered roller bearings
- Hardened rope grooves for longer life
- Weld down base
- Removable guide roller
- Smith Berger Quality

Optional Features

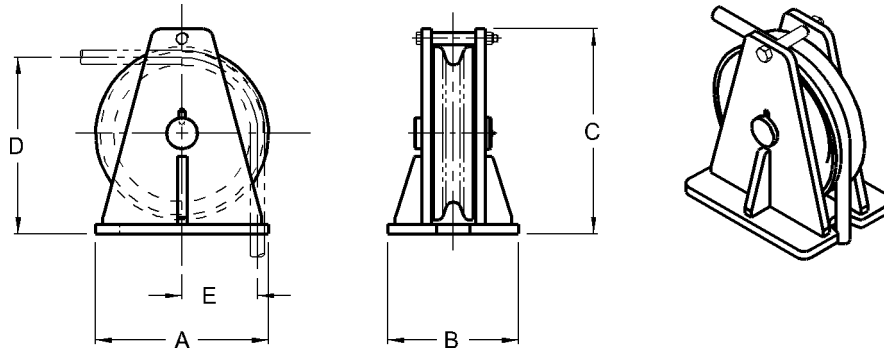
- Multiple Sheaves
- Bolt down base
- Load monitoring system
- Special sheaves for high performance synthetic ropes
- Paint to your specification
- Bronze bearings
- Third party certification

*We will custom engineer any of our products to suit **YOUR** requirements!*

7915 10th Ave. S., Seattle, WA 98108 USA - Tel: 206-764-4650 - Fax: 206-764-4653 - Website: www.SmithBerger.com



Vertical Guide Sheaves



Model Number	Units of Measure	Maximum Wire Size	Wire Breaking Strength	Sheave Tread Diameter	A	B	C	D	E	Weight
MC-1124	Inches	2	344,000 lbs.	20	24	18	29	25- 1/4	11	625 lbs
	MM	51	1530 kN	508	610	457	737	641	279	283 Kg
MD-1130	Inches	2- 1/4	494,000 lbs.	24- 7/8	30	23	35- 3/8	31- 1/16	30-15/16	1250 lbs
	MM	57	2198 kN	632	762	584	899	789	786	567 Kg
MC-1136	Inches	2- 1/2	524,000 lbs.	30	36	27	43- 1/2	37- 3/4	16- 1/4	3100 lbs
	MM	64	2331 kN	762	914	686	1105	959	413	1406 Kg
MD-1152	Inches	3	818,000 lbs.	44	52	39	60	53	23- 1/2	4900 lbs
	MM	76	3639 kN	1118	1321	991	1524	1346	597	2223 Kg
MD-1168	Inches	3- 1/4	1,223,775 lbs	59- 1/16	78- 1/16	46	73- 5/8	70- 3/8	31- 1/16	6020 lbs
	MM	83	5444 kN	1500	1983	1168	1870	1788	789	2731 Kg

Standard Features

- Designed for breaking strength of wire with 90° wrap on sheave
- Sealed grease lubricated Timken tapered roller bearings
- Hardened rope grooves for longer life
- Weld down base
- Removable guide roller
- Smith Berger Quality

Optional Features

- Multiple Sheaves
- Bolt down base
- Load monitoring system
- Special sheaves for high performance synthetic ropes
- Paint to your specification
- Bronze bearings
- Third party certification

*We will custom engineer any of our products to suit **YOUR** requirements!*