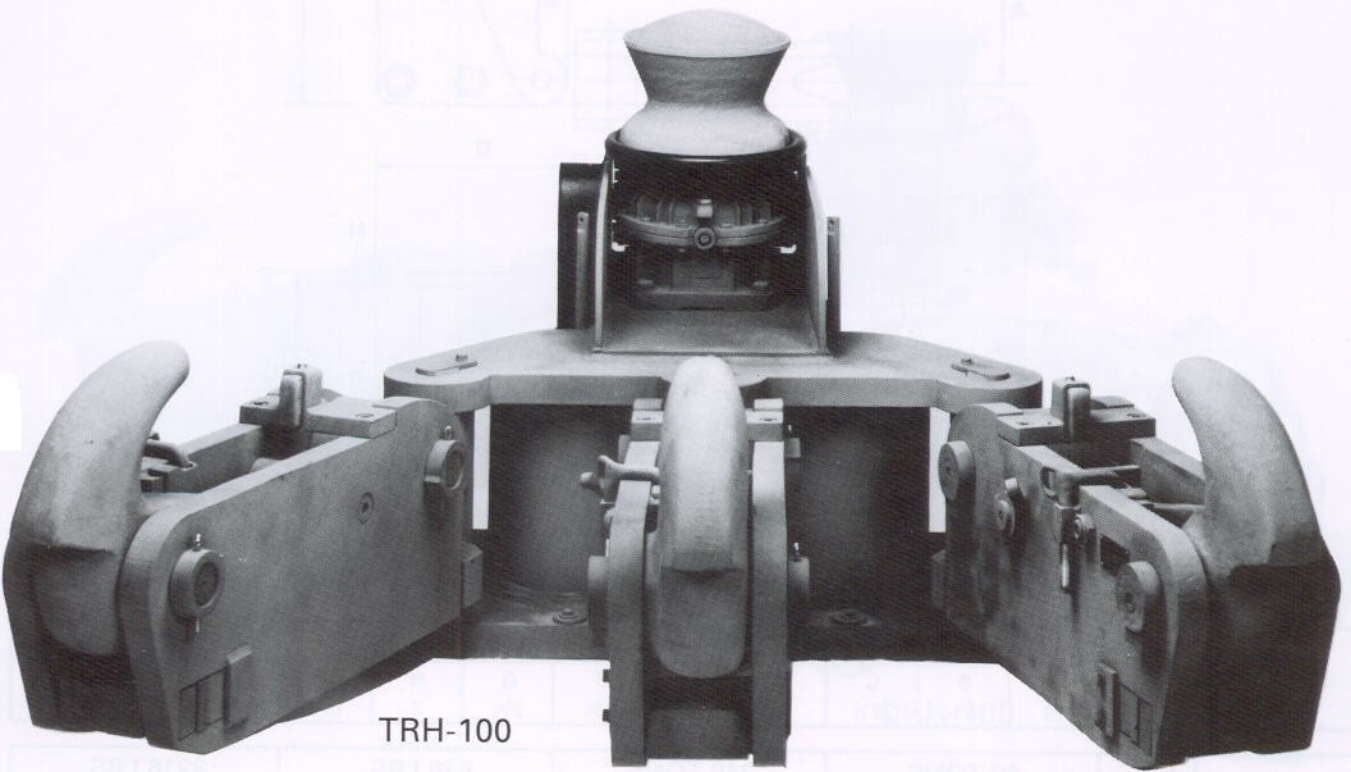


HOOK TYPE	LINE SIZE	NOMINAL LOAD PER HOOK			TOTAL LOAD PER UNIT			HOOK WEIGHT			WEIGHT HOOK(S) W/BASE	
		A	B	C	D	E	F	G	H	J	K	
TRH-50	3	50 TONS			150 TONS			450 LBS.			2280 LBS.	
		15	36	29 $\frac{3}{4}$	19	14 $\frac{1}{4}$	1 $\frac{3}{4}$	2	1 $\frac{3}{4}$	13 $\frac{1}{2}$	48 $\frac{3}{4}$	
TRH-60	4	60 TONS			180 TONS			529 LBS.			2529 LBS.	
		15 $\frac{3}{4}$	36	34 $\frac{3}{4}$	19	22	2	2	1 $\frac{3}{4}$	14 $\frac{1}{2}$	53 $\frac{3}{4}$	
TRH-80	4 $\frac{1}{2}$	80 TONS			240 TONS			1200 LBS.			3500 LBS.	
		18	49	38 $\frac{3}{4}$	24	24 $\frac{1}{4}$	2	2 $\frac{1}{2}$	2 $\frac{1}{4}$	17 $\frac{1}{4}$	62 $\frac{3}{4}$	
TRH-100	5	100 TONS			100 TONS			1400 LBS.			5505 LBS.	
		20	49	42 $\frac{1}{2}$	24	27	2	2 $\frac{1}{2}$	2 $\frac{1}{4}$	17 $\frac{1}{4}$	66 $\frac{1}{2}$	
TRH-150	5 $\frac{1}{2}$	150 TONS			450 TONS			2200 LBS.			8300 LBS.	
		24	52 $\frac{1}{2}$	49	24	28	3	3	2 $\frac{1}{2}$	19 $\frac{1}{2}$	73	

NOTE: ALL DIMENSIONS IN INCHES

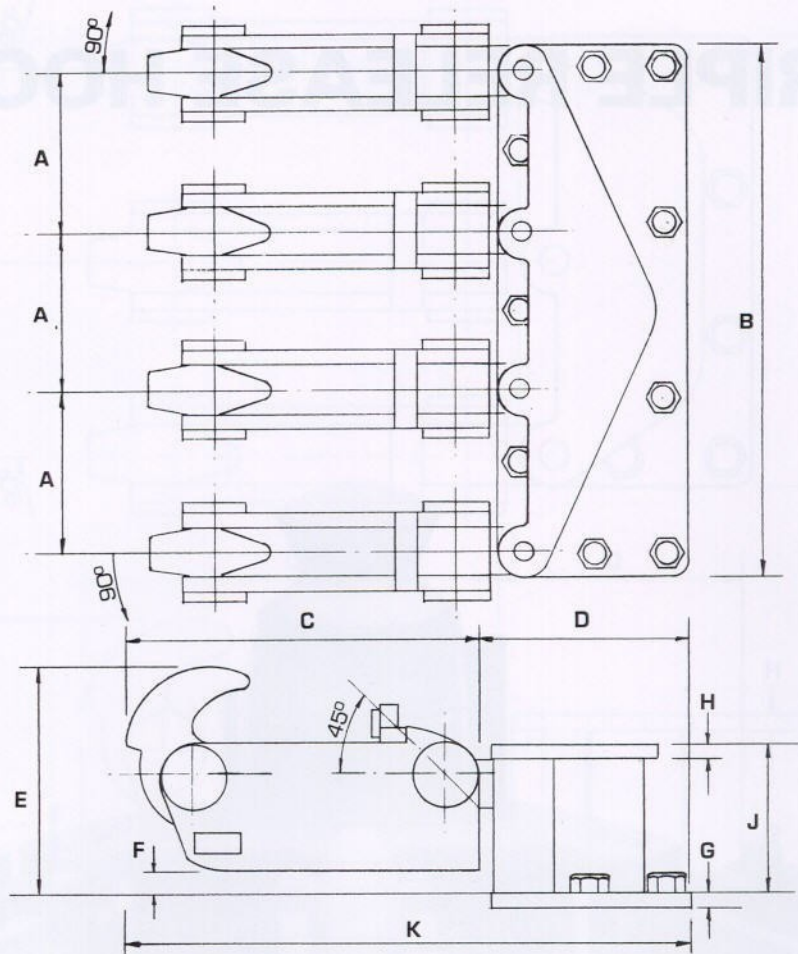
TRIPLE RELEASE HOOKS



TRH-100

NOTE

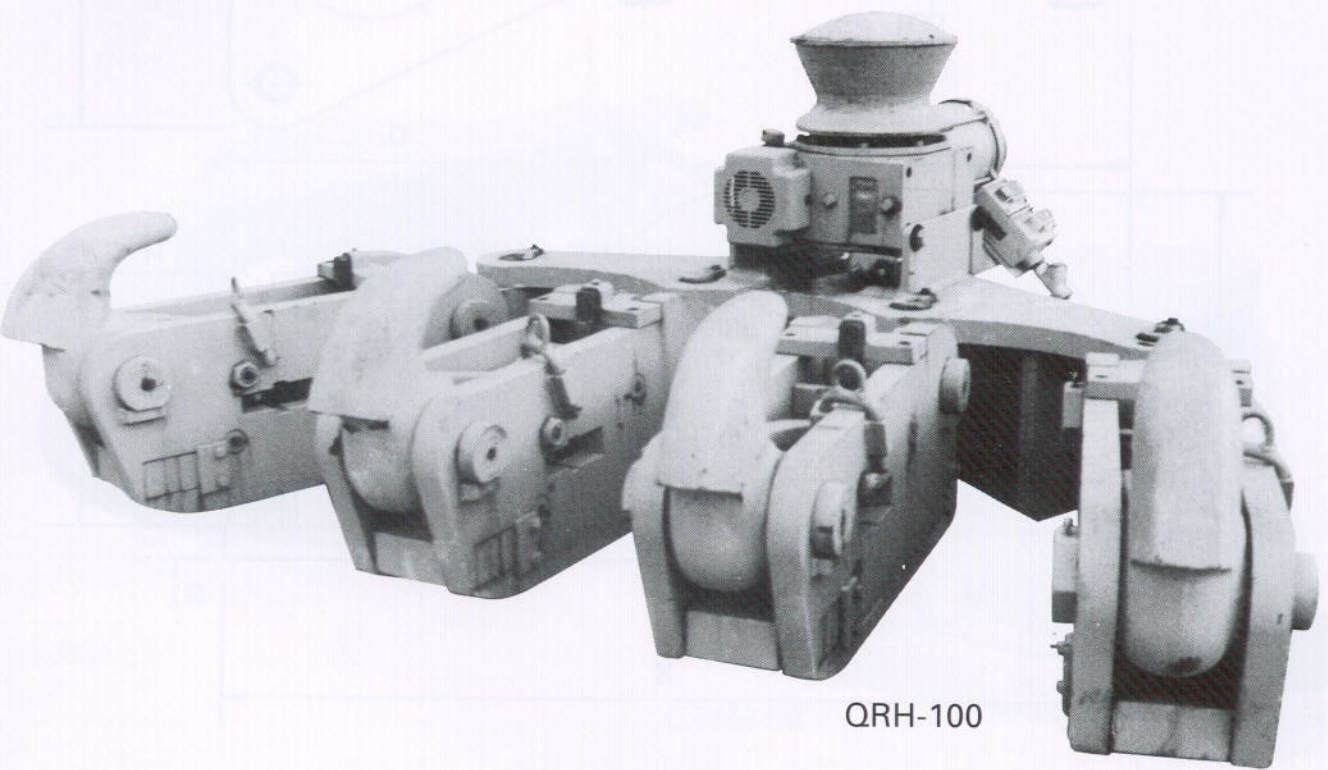
EACH HOOK CAN SWING 140° HORIZONTALLY
AND CAN ELEVATE 45° VERTICALLY



HOOK TYPE	LINE SIZE	NOMINAL LOAD PER HOOK			TOTAL LOAD PER UNIT			HOOK WEIGHT			WEIGHT HOOK(S) W/BASE	
		A	B	C	D	E	F	G	H	J	K	
QRH-50	3	50 TONS			200 TONS			450 LBS.			2900 LBS.	
		15	51	27½	19	14¼	1¾	2¼	2	13½	46¼	
QRH-60	4	60 TONS			240 TONS			529 LBS.			3316 LBS.	
		15¾	51	34¾	19	22	2	2¼	2	14½	53¾	
QRH-80	4½	80 TONS			320 TONS			1200 LBS.			4500 LBS.	
		20½	69½	38¾	24	24¼	2	2½	2¼	17¼	62¼	
QRH-100	5	100 TONS			400 TONS			1400 LBS.			6610 LBS.	
		20½	69½	42½	24	27	2	2½	2¼	17¼	66½	
QRH-150	5½	150 TONS			600 TONS			2200 LBS.			8300 LBS.	
		24	74½	49	24	28	3	3	2½	19½	73	

NOTE: ALL DIMENSIONS IN INCHES

QUAD RELEASE HOOKS



QRH-100

NOTE

EACH HOOK CAN SWING 140° HORIZONTALLY
AND CAN ELEVATE 45° VERTICALLY