

# MODEL 200MT

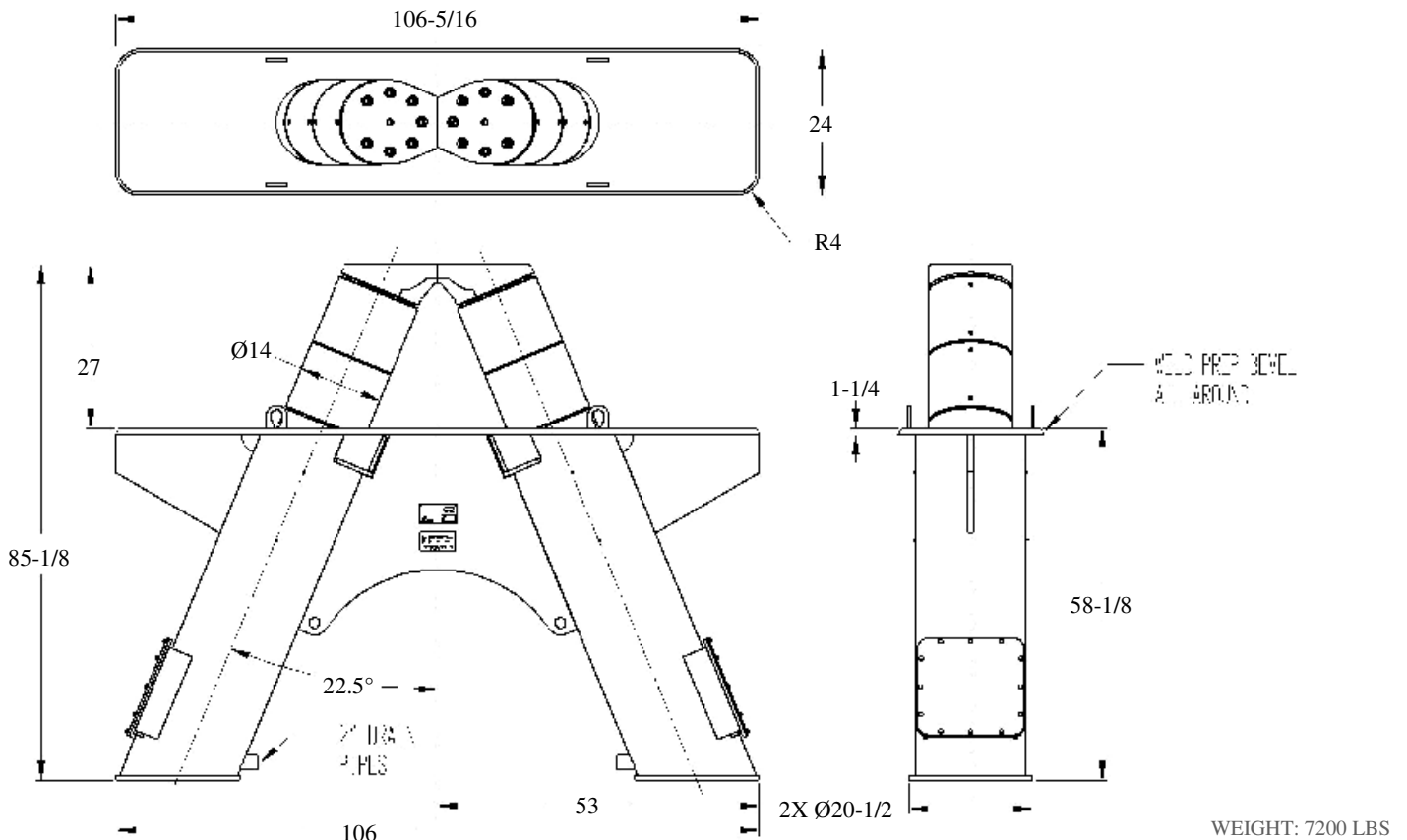


### STANDARD FEATURES

- Designed for Maximum Line Tension of 200 MT With 30° Wrap at 75% of the Height of the Pin
- Heavy Duty Hydraulic Cylinders
- Hydraulic Power Unit and Remote Control Panel
- Marine Paint System
- Every unit is functionally tested at the factory.

### OPTIONAL FEATURES

- Equipment Customized to Suit the Operating Characteristics of any Vessel
- Third Party Certification
- Load Monitoring System
- Load Tests
- Local Controls
- ABS, LRS and DNV approval available.



\* DIMENSIONS SUBJECT TO CHANGE WITHOUT NOTICE\*

## Smith Berger Marine, Inc. - Mooring & Towing Solutions

7915 10<sup>th</sup> Ave. S., Seattle, WA 98108 USA

Tel. 206.764.4650 - Toll Free 888.726.1688 - Fax 206.764.4653

E-mail: [sales@smithberger.com](mailto:sales@smithberger.com) - Web: [www.smithberger.com](http://www.smithberger.com)