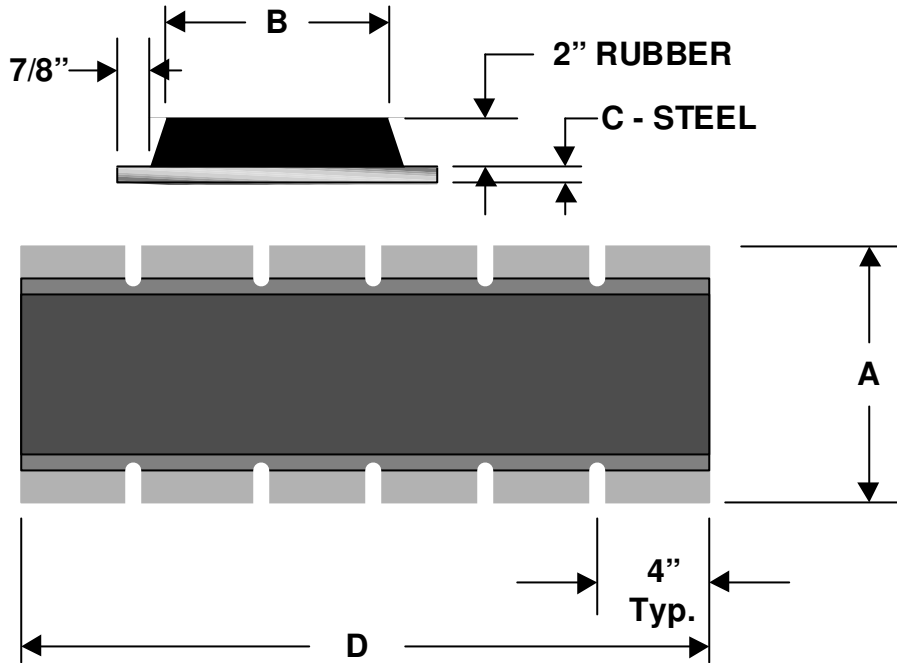


FLEXNEE MODULAR WELD-ON BUMPERS

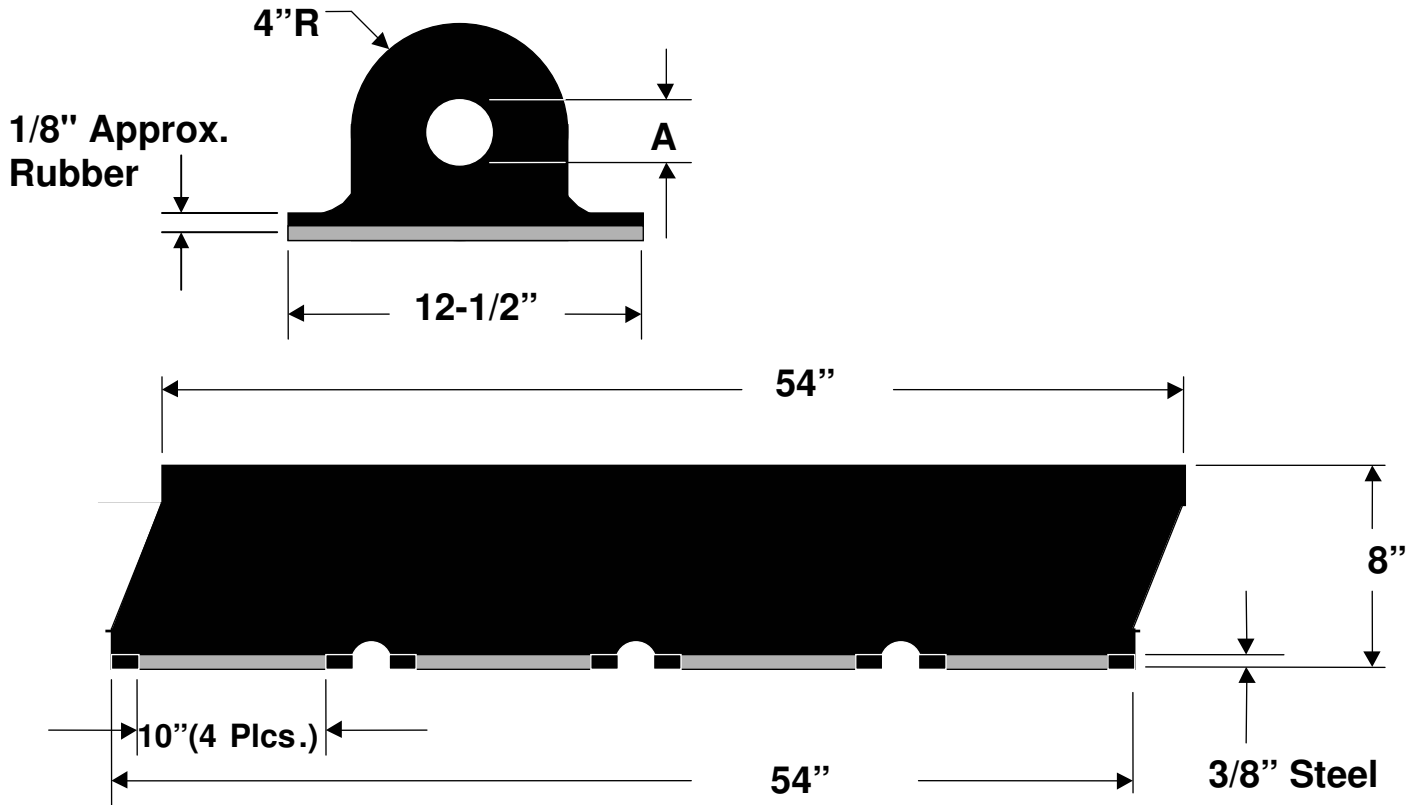


PART No.	A	B	C	D	Wt. Lbs.
E42075	10	7	3/4	36	75
E43075	10	7	3/4	48	99
E42076	10	7	1/2	36	60
E43076	10	7	1/2	48	80
E42077	10	7	1/4	36	42
E43077	10	7	1/4	48	55

Morse Rubber LLC
 3588 Main St.
 Keokuk, IA 52632
 U.S.A.

Tel. 319 524 8430
 800 553 7036
 Fax 319 524 7290

HEAVY DUTY D-MODULAR BUMPERS



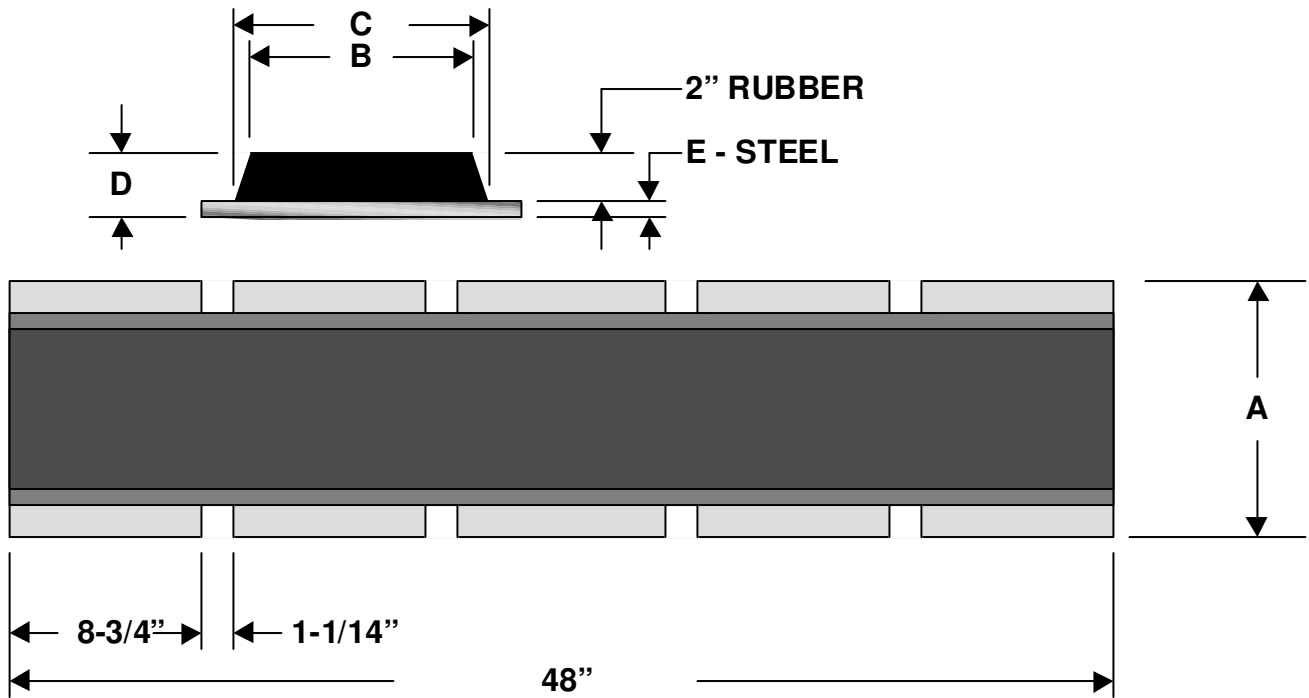
PART No.	A	Wt. Lbs.
E44300	4"	133
E44311	2"	168

Morse Rubber LLC
 3588 Main St.
 Keokuk, IA 52632
 U.S.A.

Tel. 319 524 8430
 800 553 7036
 Fax 319 524 7290

HEAVY DUTY WELD-ON MODULAR BUMPERS

Flat Style



PART No.	A	B	C	D	E	Wt. Lbs.
E47950	6	3	4-1/4	2-1/4	1/4	34
E47951	6	3	4-1/4	2-1/2	1/2	54
E47952	6	3	4-1/4	2-3/4	3/4	73
E47060	8	5	6-1/4	2-1/4	1/4	50
E47961	8	5	6-1/4	2-1/2	1/2	75
E47962	8	5	6-1/4	2-3/4	3/4	99
E47970	10	7	8-1/4	2-1/4	1/4	65
E47971	10	7	8-1/4	2-1/2	1/2	96
E47972	10	7	8-1/4	2-3/4	3/4	127

Morse Rubber LLC

3588 Main St.
Keokuk, IA 52632

Tel. 319 524 8430
800 553 7036
Fax 319 524 7290

Morse Rubber

Morse Rubber is a privately owned manufacturer and marketer of specialized rubber products. The company is located in Keokuk, IA . The products produced by the company are used in marine, industrial and agricultural applications.

The manufacturing facility comprises 120,000 square feet under roof with capabilities that include rubber to metal bonding; large scale molding; mixing; extruding; machining of rubber, bonding to composites and metals as well as metal welding and fabrication.

Products include Morse Marine Bearings, marine fenders and bumpers and engineered systems and components.

The Morse Marine Bearing product range is well established in a number of markets including recreational marine, commercial marine, military and industrial. Morse Marine Bearings are rubber lined and water lubricated. They require no seals, and no oil or grease for lubrication. Lubrication is provided by the water in which the vessel is traveling, making these bearings environmentally friendly. The high durability rubber liner is resistant to abrasion caused by particles in the water. The rubber is also oil and chemical resistant. The resilience of the rubber liner allows these bearings to dampen noise and vibration. The use of water as a lubricant provides efficient low friction operation and a stable lubricant film due to the water's incompressibility. The rigid outer shell is made of naval brass or non-metallic composite in the standard sleeve series. The standard flanged series outer shell is made of centrifugal cast naval brass. Morse Marine Bearings are precision molded and machined for consistently accurate dimensions and concentricity.

Morse Fender and Bumper products include **molded rubber bonded to steel** and **extruded** types. These products are used to protect ship hulls and other structures from damage. A standard range of product is available. In addition, Morse Rubber produces special fenders engineered from scratch to address the customer's requirements. All products in this range are manufactured with high durability rubber. The rubber bonded to steel products have a bond strength that exceeds the tensile strength of the rubber.

Engineered components may be produced to a customer's design specifications or may be engineered by Morse Rubber to meet the customer's requirements. Examples of this product type include industrial equipment components, molded fenders (including Shear and Buckling Column types), structural steel fender system panels and dry dock seals. Morse Rubber serves customers through the company's capacity for molding large scale products, our expertise in materials and knowledge of design and engineering for dynamic performance requirements.