

PROJECT NAME

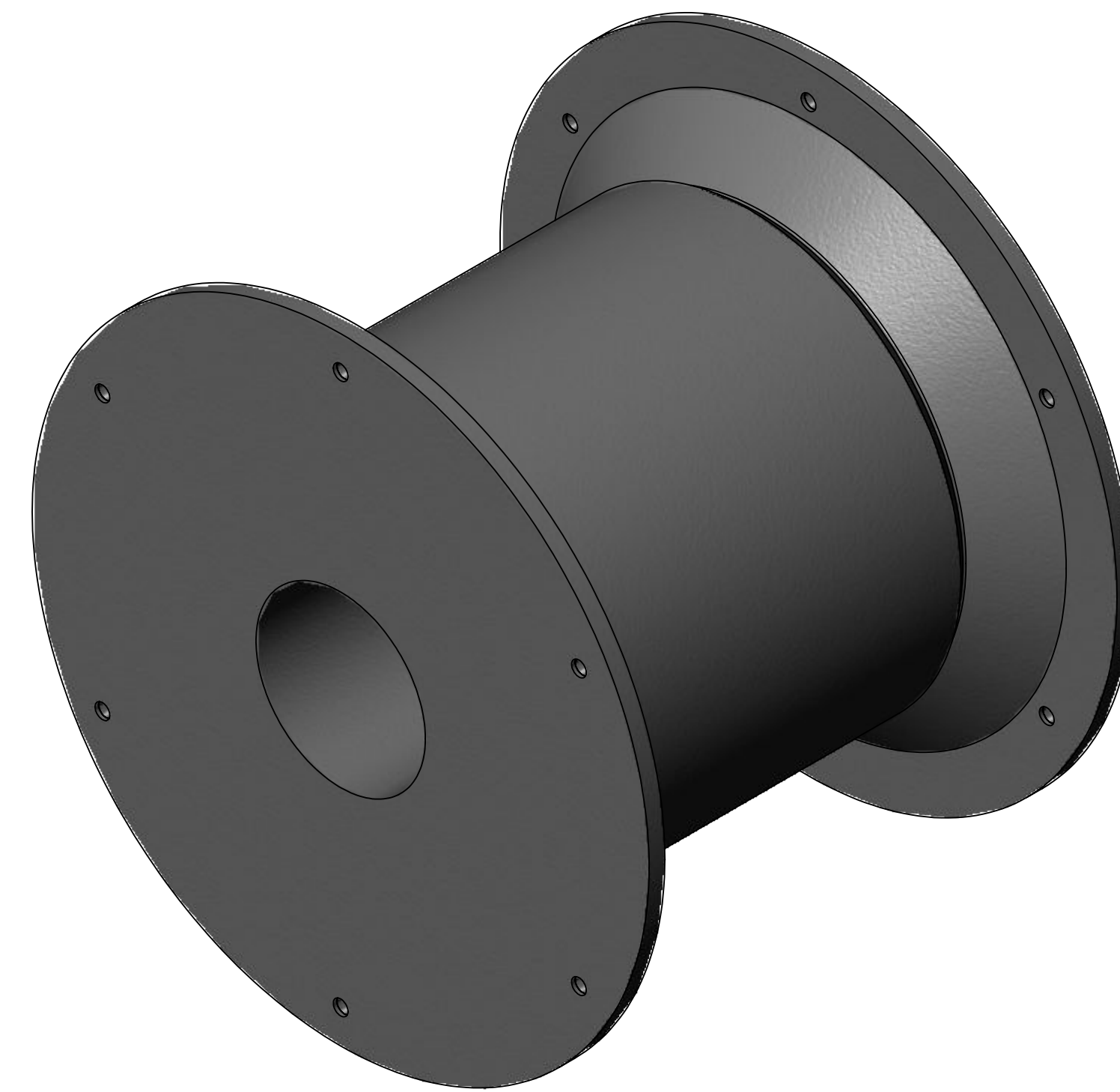
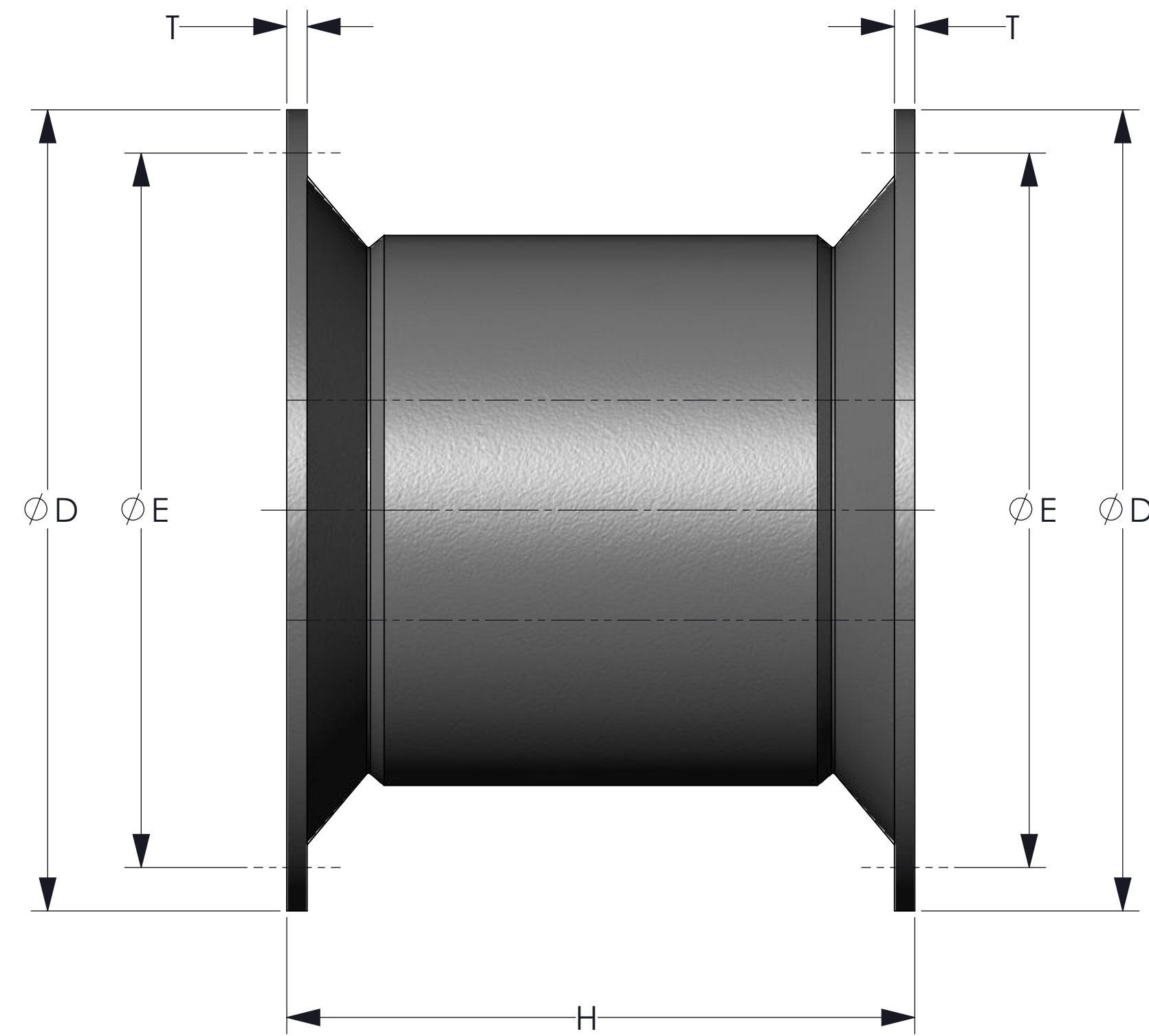
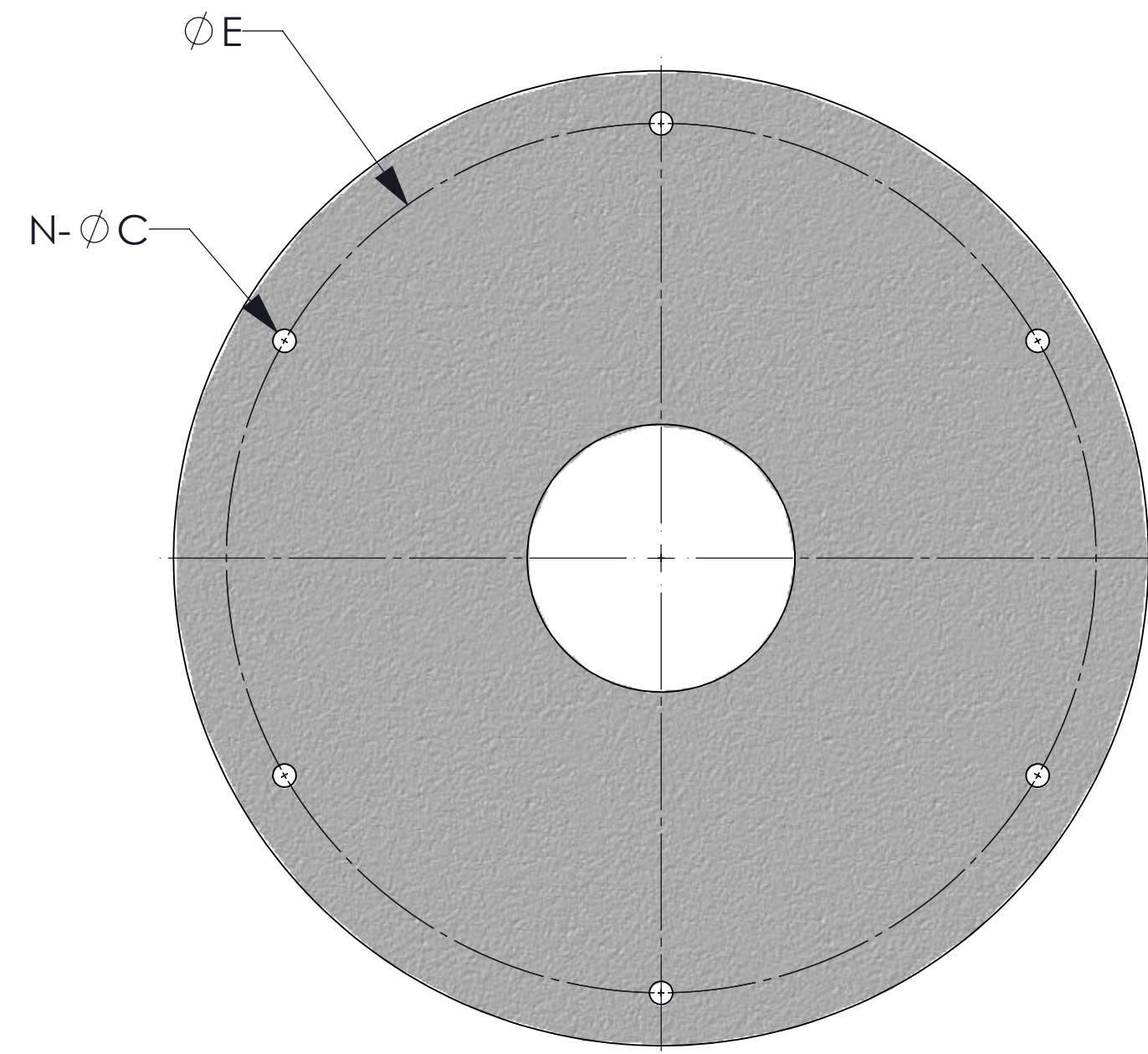
DRAWING TITLE

MSC 1450 CELL FENDER

REVISIONS		
REV.	DATE	DESCRIPTION
0	5/15/2024	FOR CONSTRUCTION

DRAWN	CHECKED	APPROVED
RR	JH	AP

SHEET TITLE		
CELL FENDER DETAILS		
PROJECT NUMBER	SHEET SIZE	SCALE
10444	ANSI D	1:12
DRAWING NUMBER	SHEET	
MSC 1450 CELL FENDER	1 OF 3	



PROJECT NAME

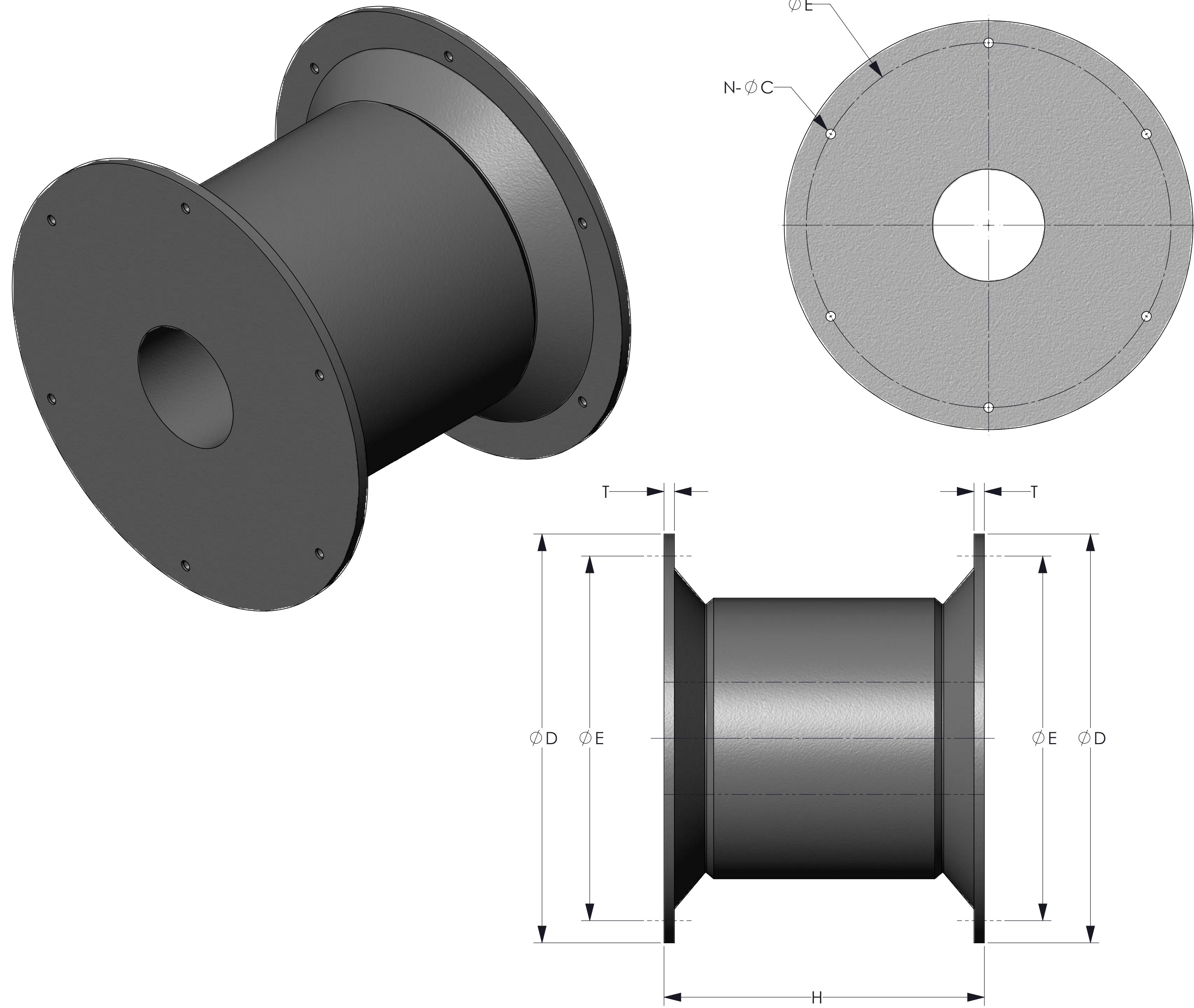
DRAWING TITLE  
MSC 1450 CELL FENDER

REVISIONS		
REV.	DATE	DESCRIPTION
0	5/15/2024	FOR CONSTRUCTION

DRAWN	CHECKED	APPROVED
RR	JH	AP

SHEET TITLE  
CELL FENDER DETAILS

PROJECT NUMBER	SHEET SIZE	SCALE
10444	ANSI D	1:12
DRAWING NUMBER	SHEET	
MSC 1450 CELL FENDER	2 OF 3	



PROJECT NAME

DRAWING TITLE  
MSC 1450 CELL FENDER

REVISIONS		
REV.	DATE	DESCRIPTION
0	5/15/2024	FOR CONSTRUCTION

DRAWN	CHECKED	APPROVED
RR	JH	AP

SHEET TITLE  
CELL FENDER DETAILS

PROJECT NUMBER	SHEET SIZE	SCALE
10444	ANSI D	1:12
DRAWING NUMBER	SHEET	
MSC 1450 CELL FENDER	3 OF 3	