

PROJECT NAME

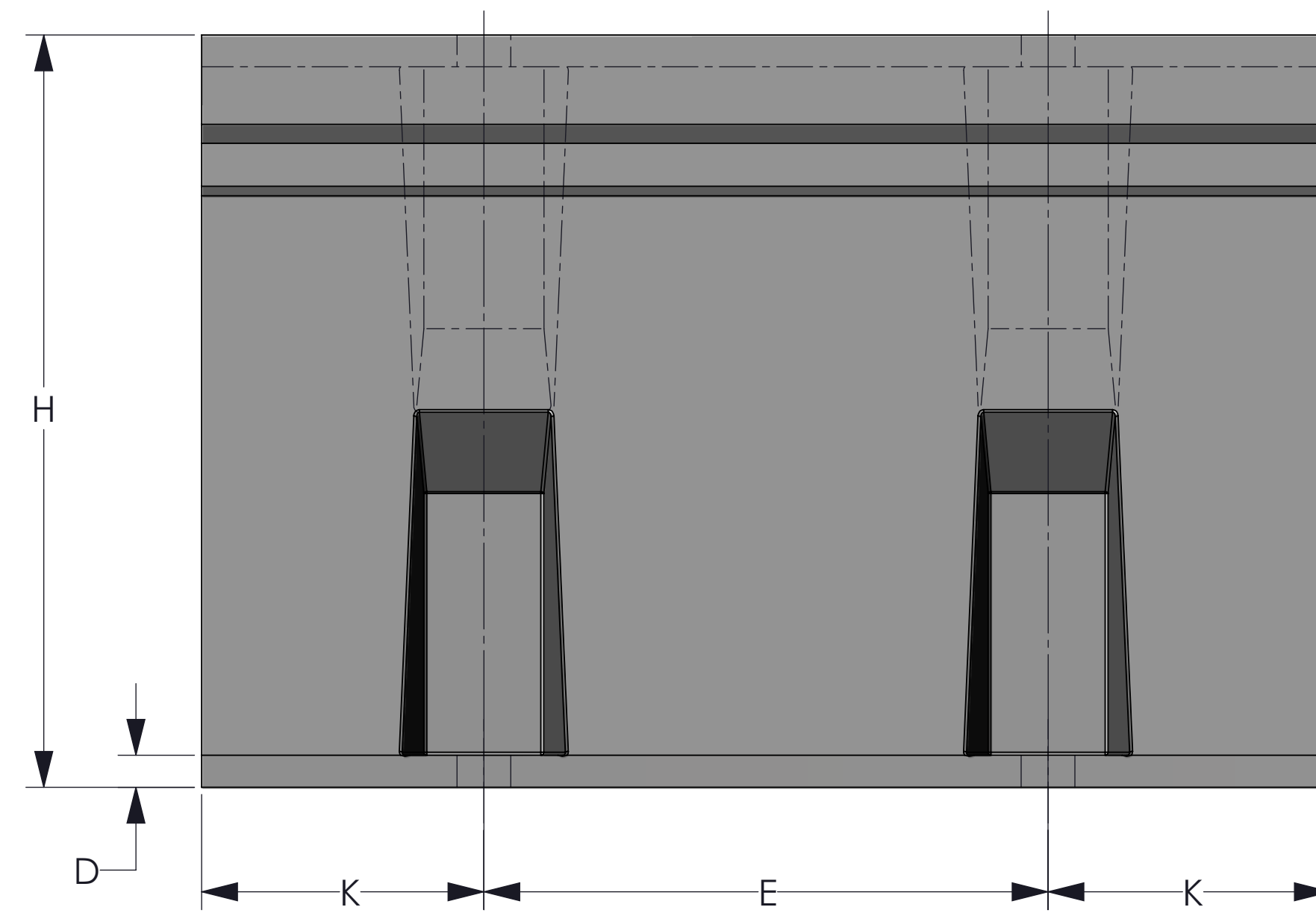
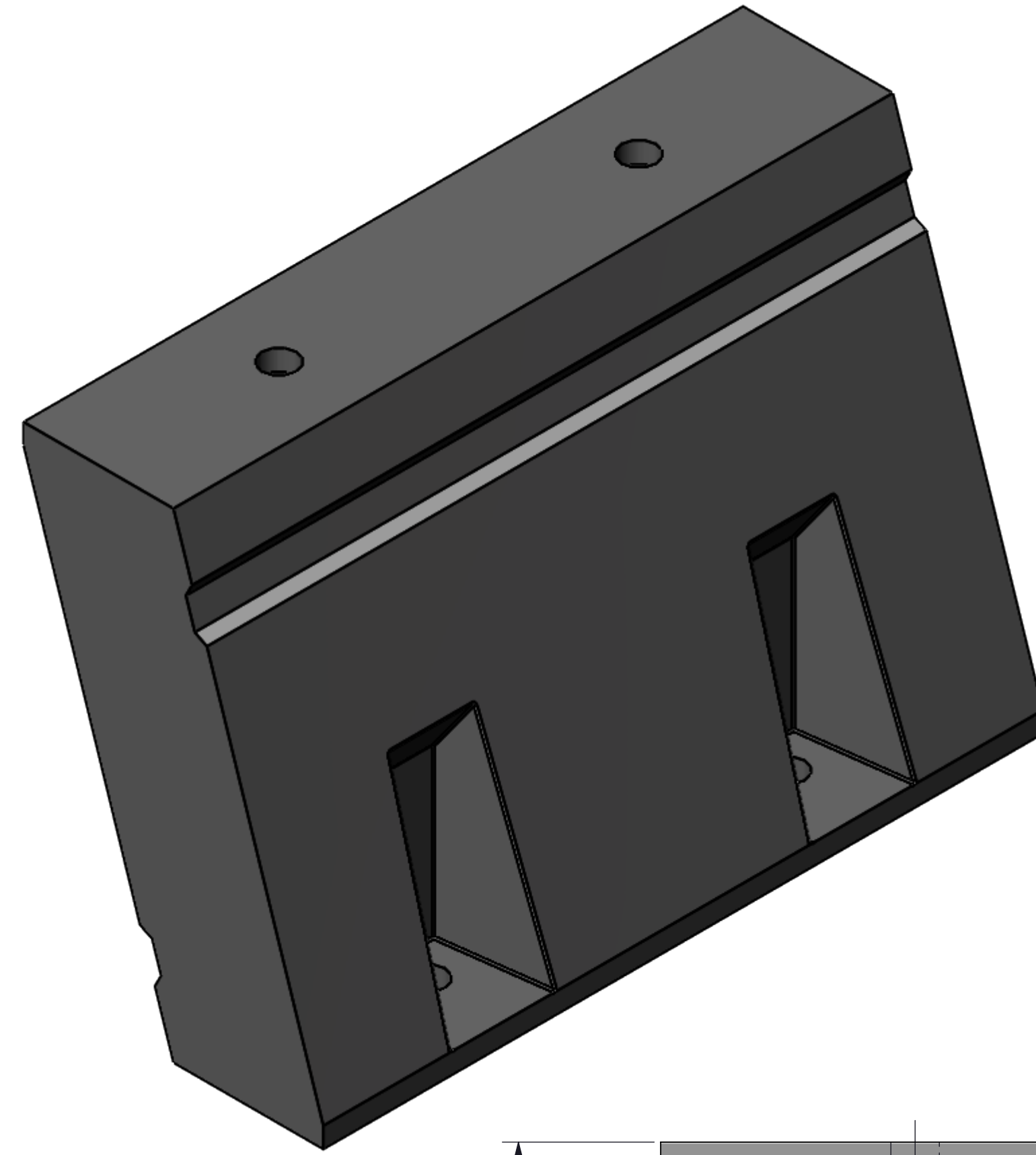
DRAWING TITLE
MSE 400 ELEMENT
FENDER

REVISIONS		
REV.	DATE	DESCRIPTION
0	5/14/2024	FOR CONSTRUCTION

DRAWN	CHECKED	APPROVED
RR	JH	AP

SHEET TITLE
ELEMENT FENDER DETAILS

PROJECT NUMBER	SHEET SIZE	SCALE
10444	ANSI D	1:3
DRAWING NUMBER	SHEET	
MSE 400 ELEMENT FENDER	1 OF 2	



PROJECT NAME

DRAWING TITLE
MSE 400 ELEMENT
FENDER

REVISIONS

REV.	DATE	DESCRIPTION
0	5/14/2024	FOR CONSTRUCTION

DRAWN	CHECKED	APPROVED
RR	JH	AP

SHEET TITLE

ELEMENT FENDER DETAILS

PROJECT NUMBER	SHEET SIZE	SCALE
10444	ANSI D	1:3
DRAWING NUMBER	SHEET	
MSE 400 ELEMENT FENDER	2 OF 2	